

POWER LIFT (series)

PL-7K- RS

Pulze MHE Lithium Battery is a versatile power source known for its high energy density, making it ideal for a range of electronic devices. Its lightweight design enhances portability, making it suitable for compact gadgets and tools. With a long cycle life, it provides numerous charge and discharge cycles, ensuring durability and reliability over time. The battery also features fast charging capabilities, significantly reducing downtime. Safety is a priority, with built-in mechanisms to prevent overcharging and overheating, enhancing user protection. This combination of features makes the Pulze MHE a preferred choice in both consumer electronics and industrial applications. Its efficiency and performance contribute to the growing demand for lithium battery technology.



PERFORMANCE SPECIFICATIONS

| | |
|----------------------------|--------------|
| Nominal Voltage | 25.6V |
| Operating Voltage | 21.6- 29.2 V |
| Rated Power | 7.68kW |
| Usable Energy ¹ | 7.37kW |
| Continuous Charge | 150A |
| Continuous Discharge | 300A |
| Back up hours | 8hrs |
| Power Module | Inbuilt |

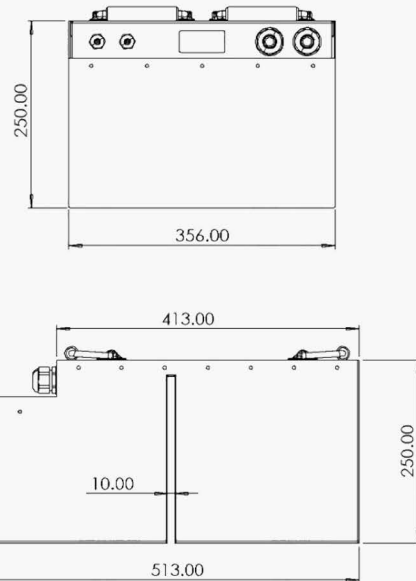
¹ Values provided for 25°C (77°F)

MECHANICAL SPECIFICATIONS

| | |
|---|--------------------|
| Dimension | 513 X 356 X 250 mm |
| Weight ² (Include counter balance) | 125Kgs |
| Mounting Options | Bed mount |

²Dimensions and weight differ slightly. counterbalance will provide space availability

* specification included in this datasheet are subjected to change without notice



ENVIRONMENTAL SPECIFICATIONS

| | |
|-------------------------|---|
| Operating Temperature | -20°C to 50°C (-4°F to 122°F) |
| Recommended Temperature | 0°C to 30°C (32°F to 86°F) |
| Storage Conditions | 20°C to 30°C (-4°F to 86°F) Up to 95% RH, non-condensing State of Energy (SoE): 25% initial |
| Maximum Elevation | 3000 m (9843 ft) |
| Environment | Indoor |
| Ingress Rating | IP56 (Battery & Power Electronics) |